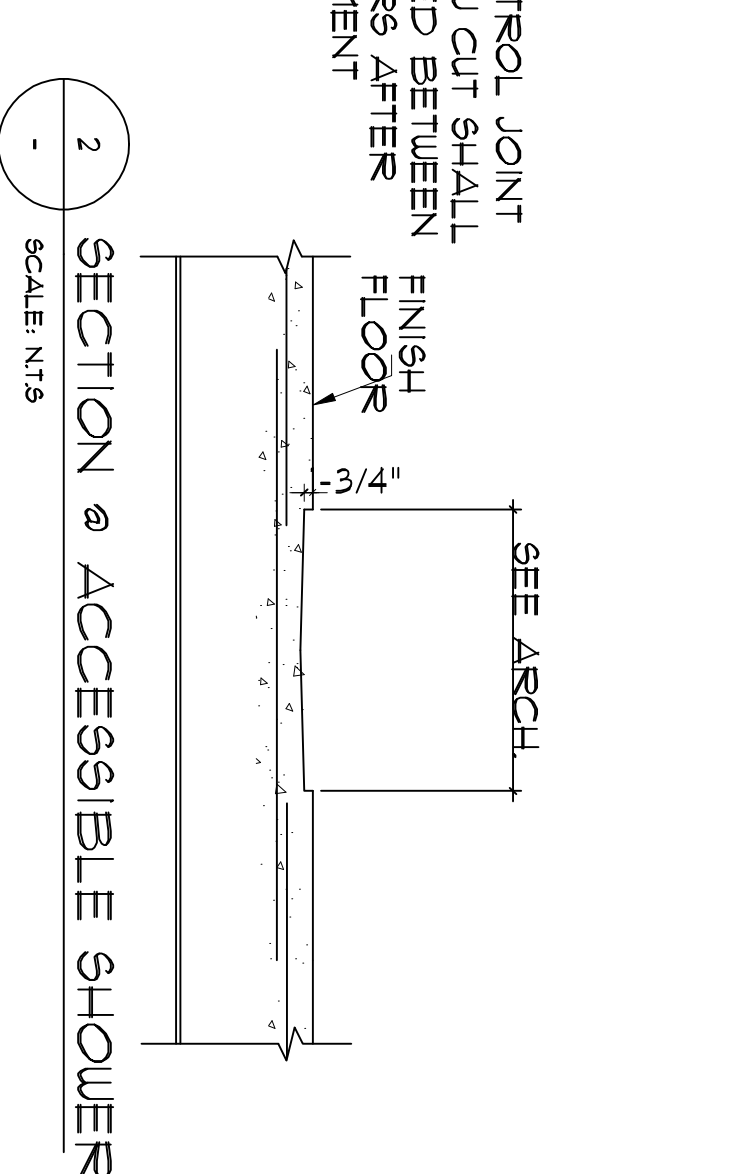
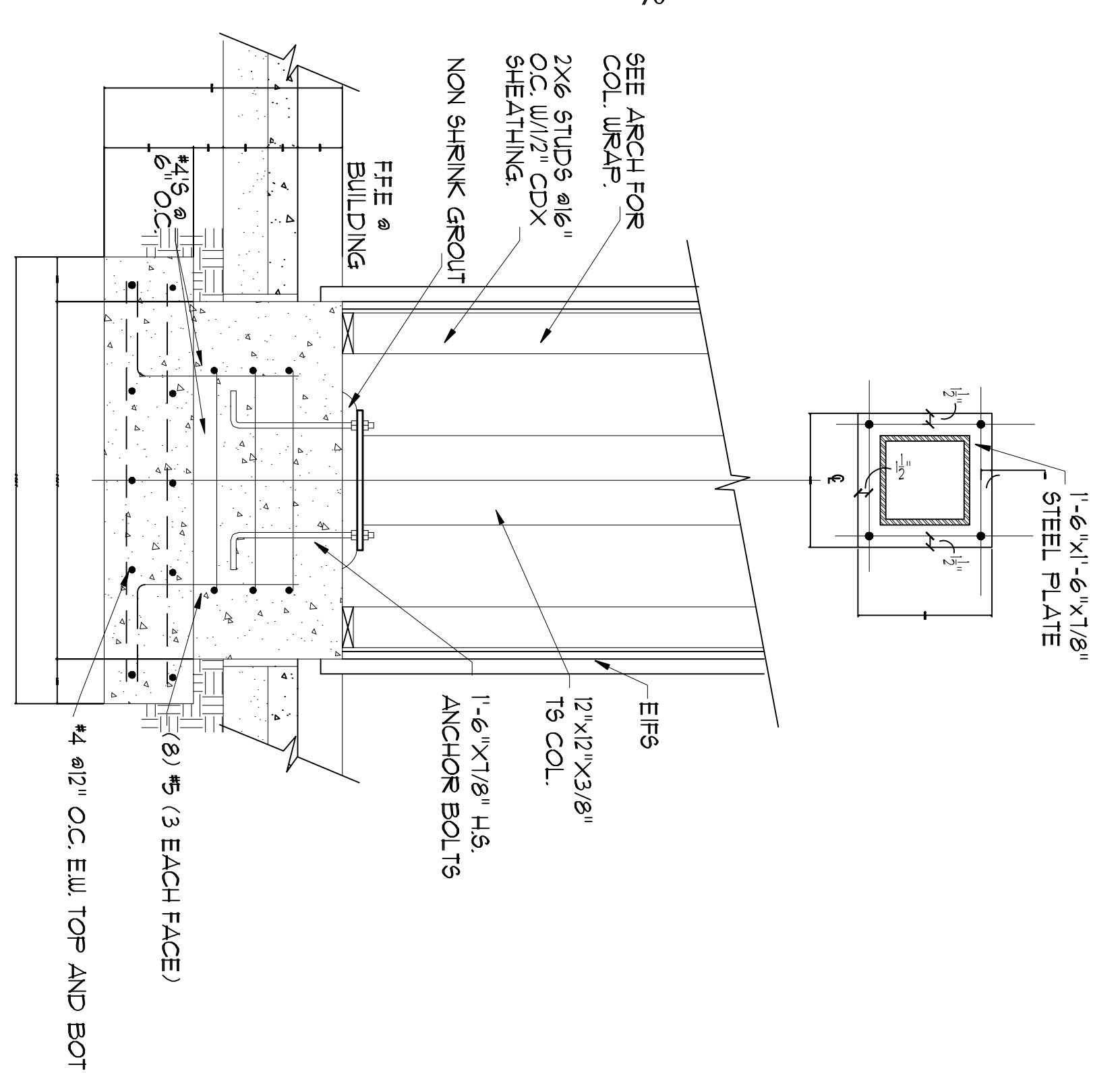


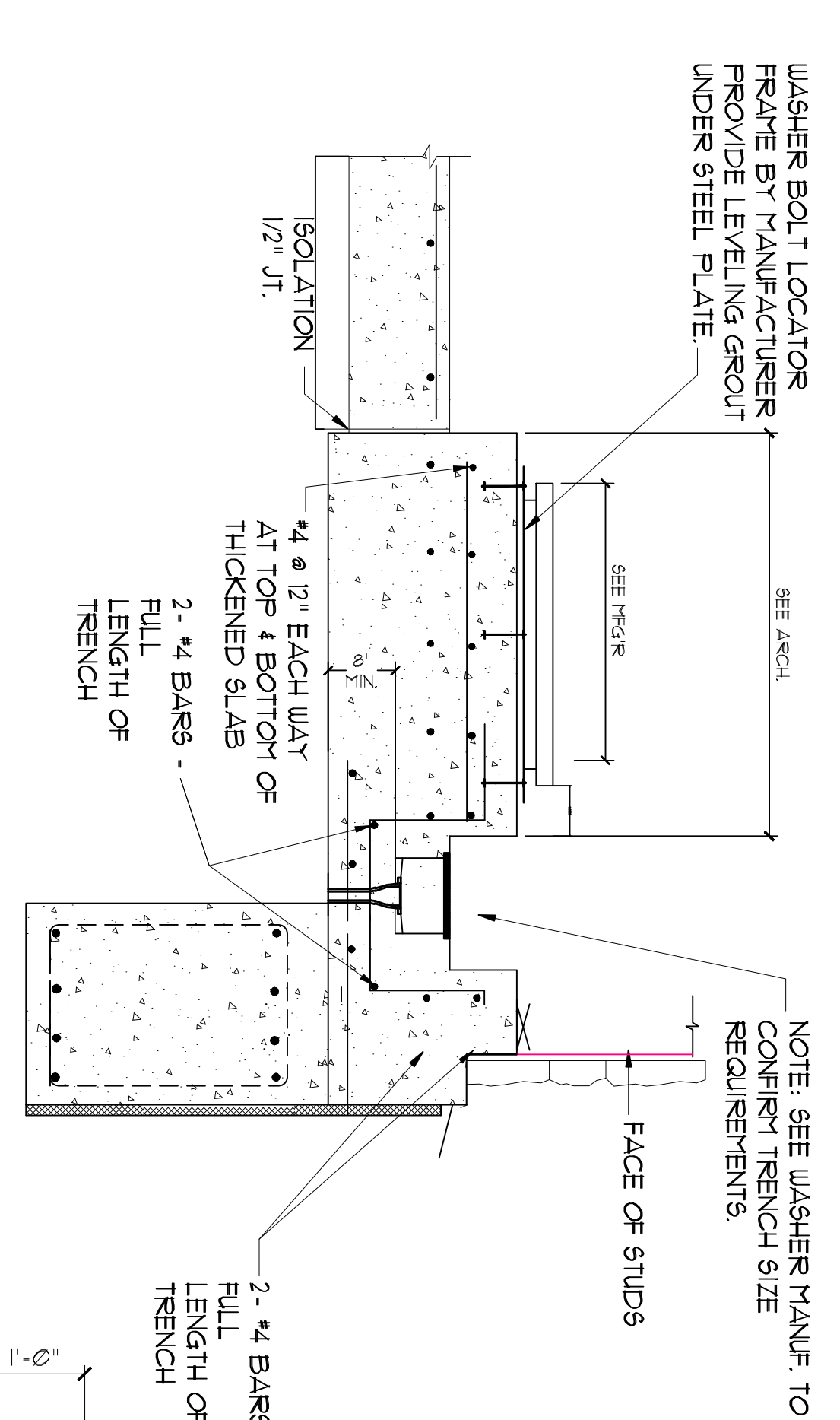
1 TYP. SLAB ON GRADE CONTROL JOINT & CONSTRUCTION JOINT
SCALE: NTS



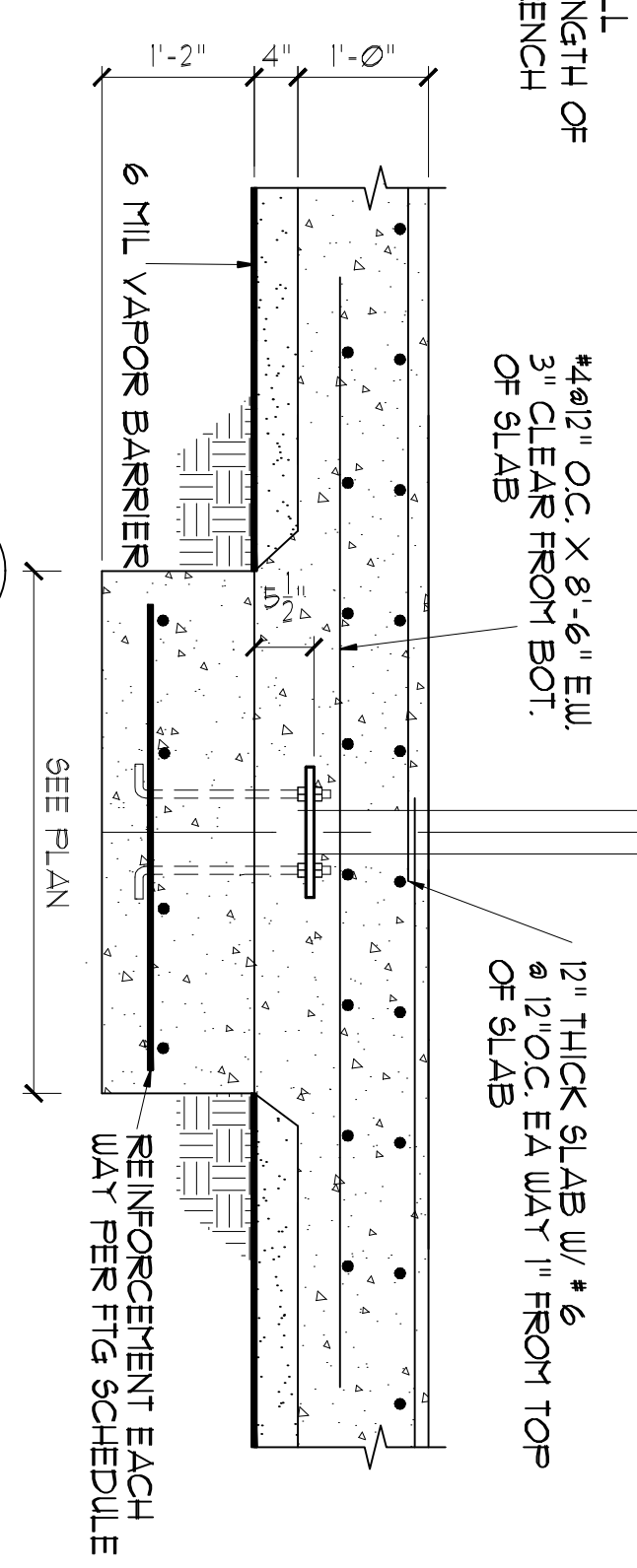
2 SECTION @ ACCESSIBLE SHOWER
SCALE: NTS



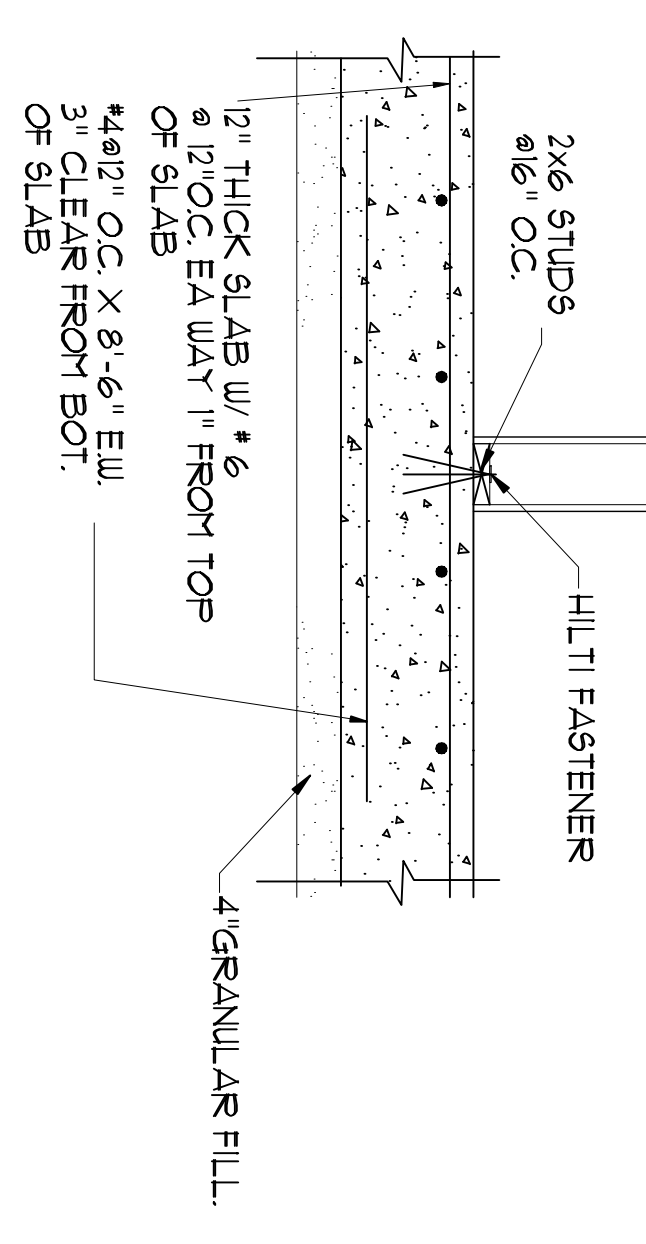
4 FOOTING @ COLUMN
SCALE: 3/4\"/>



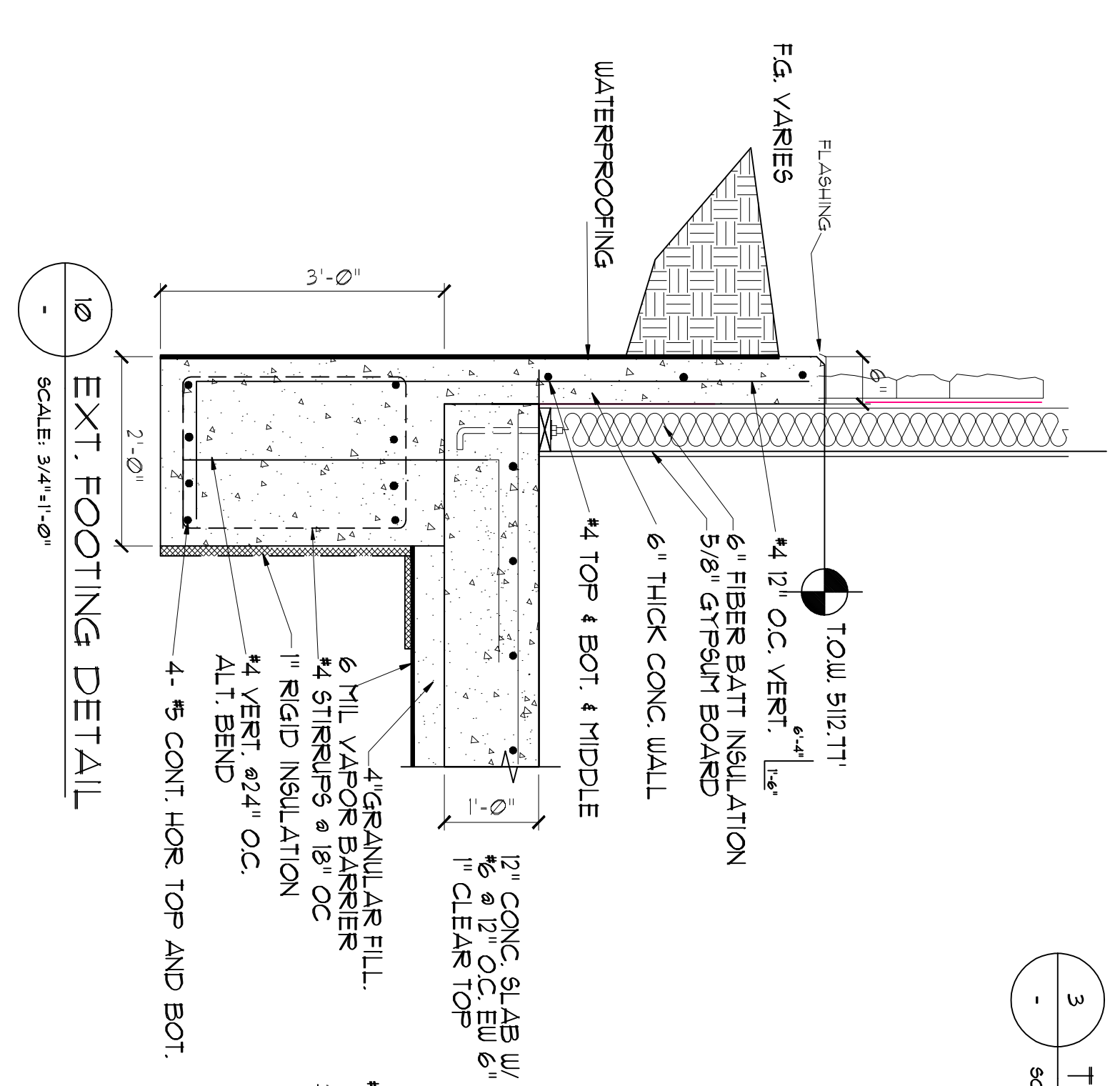
3 TRENCH SECTION @ LAUNDRY ROOM WASHER
SCALE: NTS



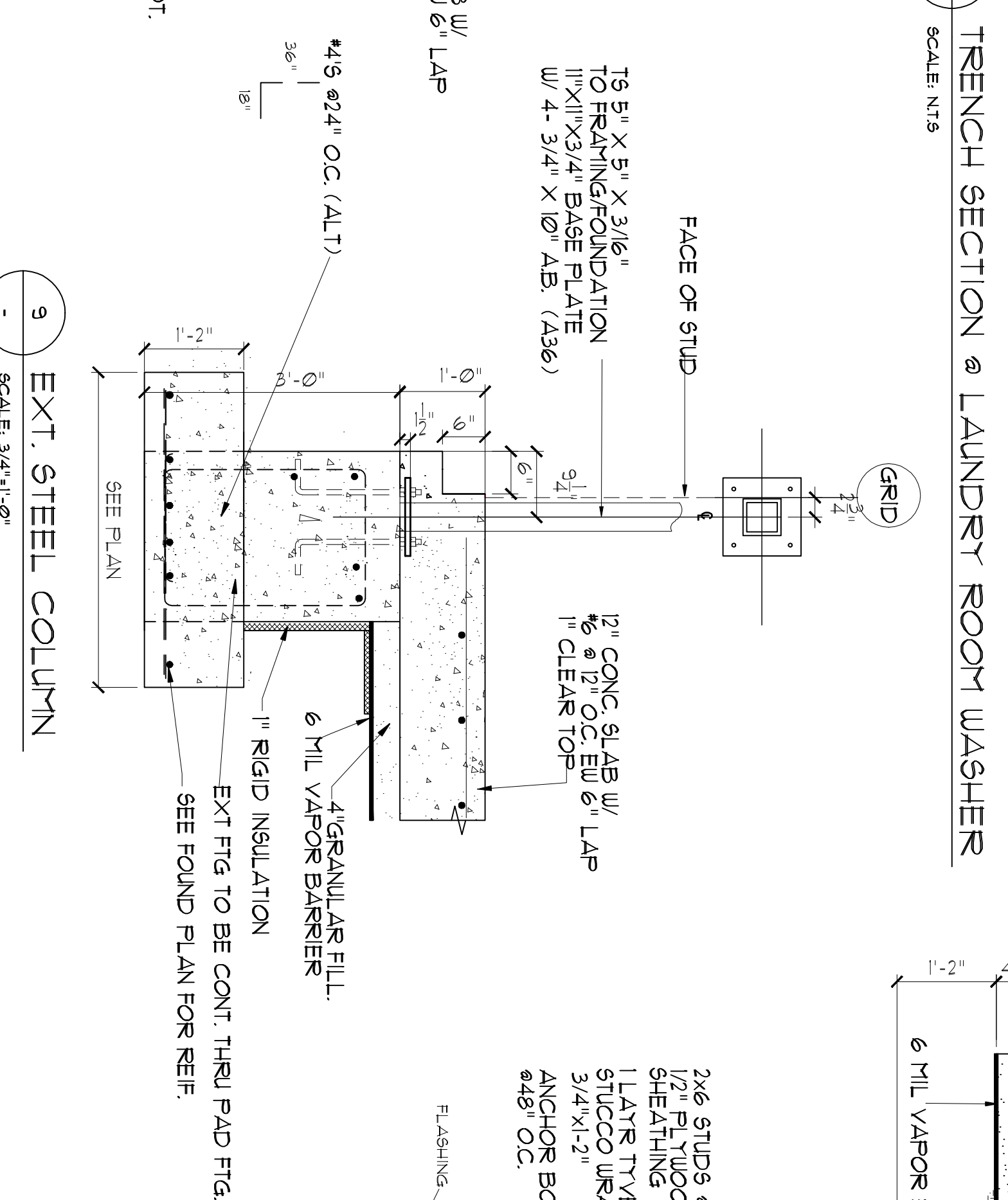
5 FOOTING @ COLUMN
SCALE: 3/4\"/>



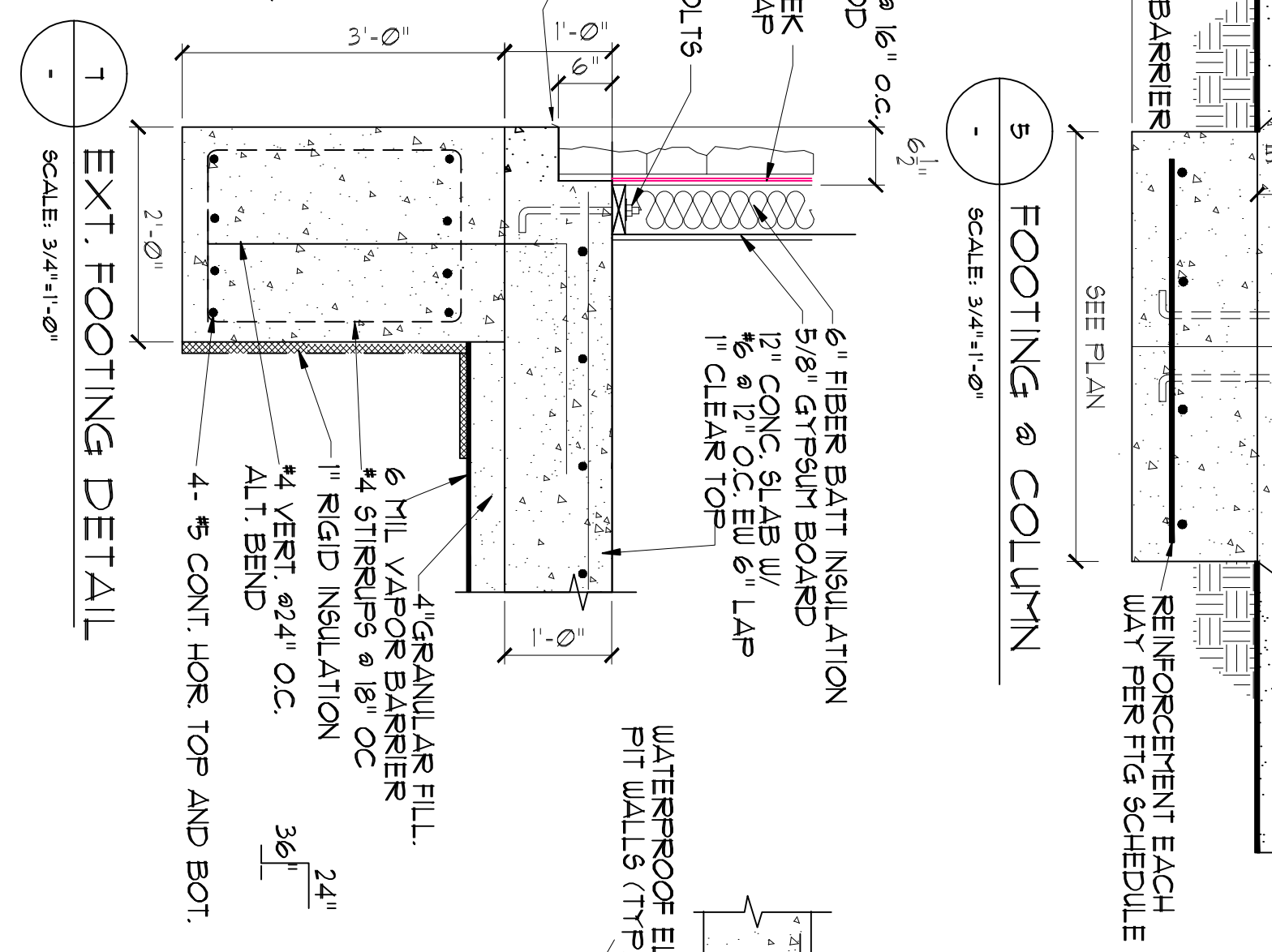
6 INTERIOR FOOTING
SCALE: 3/4\"/>



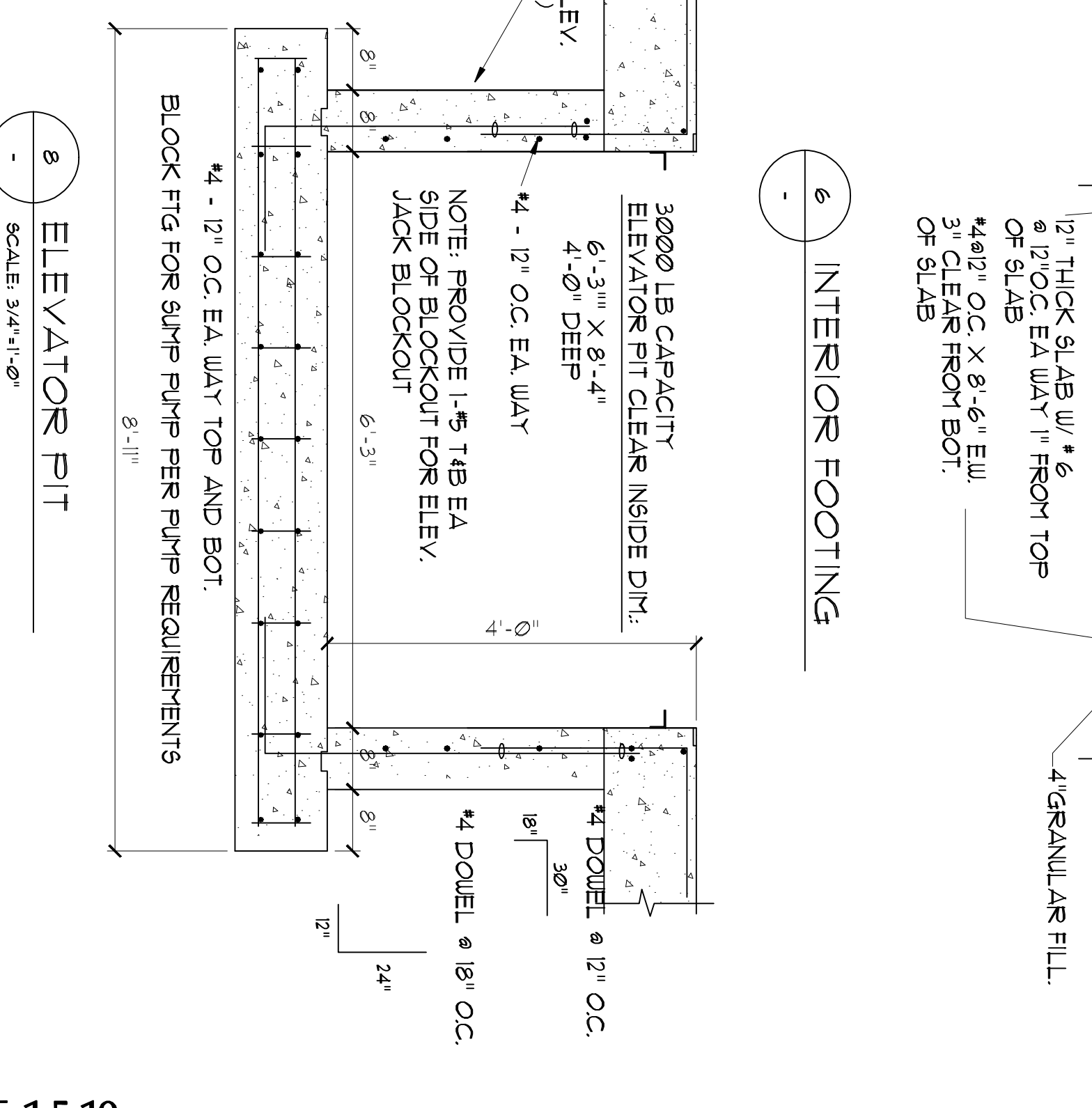
10 EXT. FOOTING DETAIL
SCALE: 3/4\"/>



9 EXT. STEEL COLUMN
SCALE: 3/4\"/>



1 EXT. FOOTING DETAIL
SCALE: 3/4\"/>



8 ELEVATOR PIT
SCALE: 3/4\"/>

BID SET 1-5-10

Sheet no. S106

BIEBERLY ARCHITECTS
227 north santa fe, suite 302
post office box 1731
salina, kansas 67402-1731
phone: 785-823-9221
fax: 785-823-9224
dove@bieberlyarchitects.net

70 ROOM MOTEL
COMFORT INN & SUITES
Parachute, Colorado
OWNER: Jay Koshiya

Comfort INN & SUITES

drawing title: **DETAILS**
The design and details disclosed herein are the exclusive property of BIEBERLY ARCHITECTS, P.A. and shall not be modified, reproduced or used in whole or in part without prior written consent of BIEBERLY ARCHITECTS, P.A.

date: 1-5-2010
project no. 200926
drawn by: DDB
checked by:
revisions: