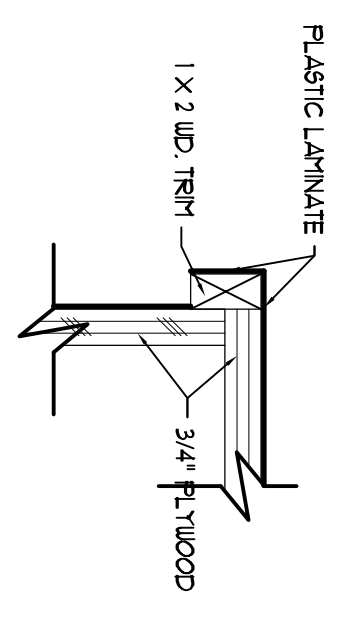
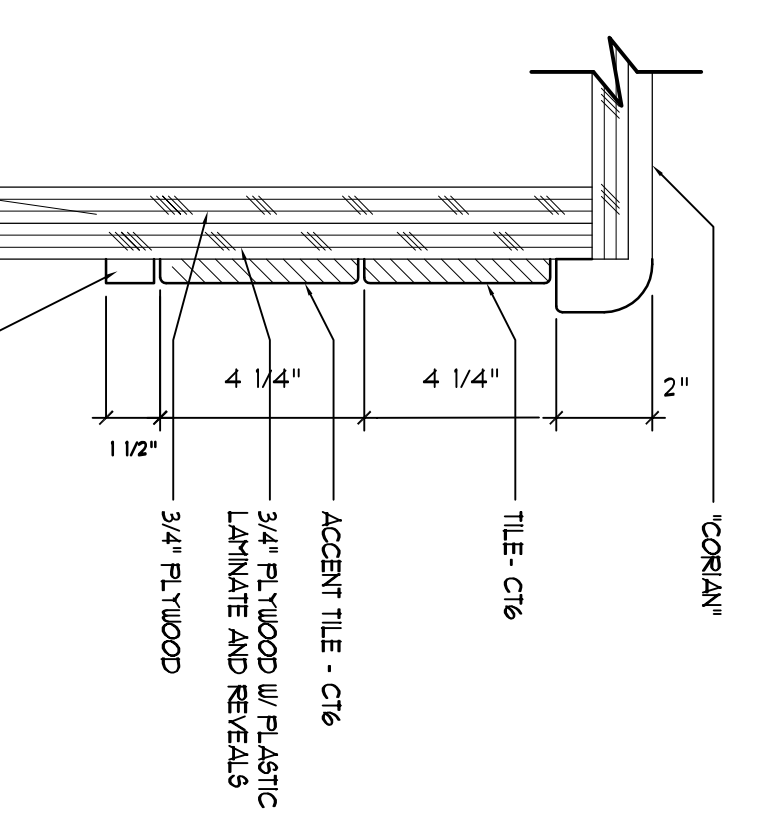


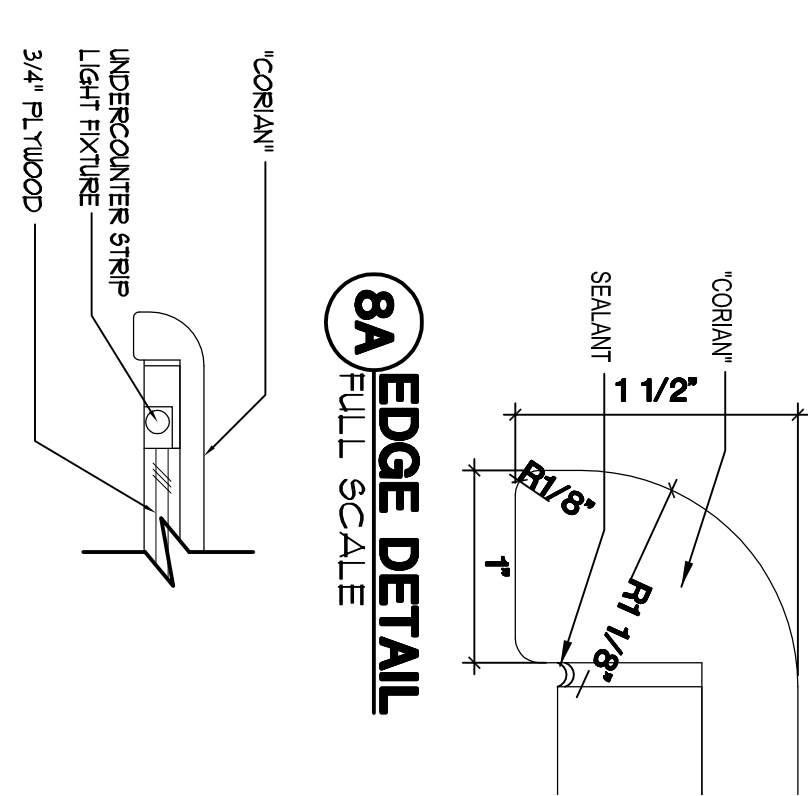
11 EDGE DETAIL
SCALE 3" = 1'-0"



10 EDGE DETAIL
SCALE 3" = 1'-0"



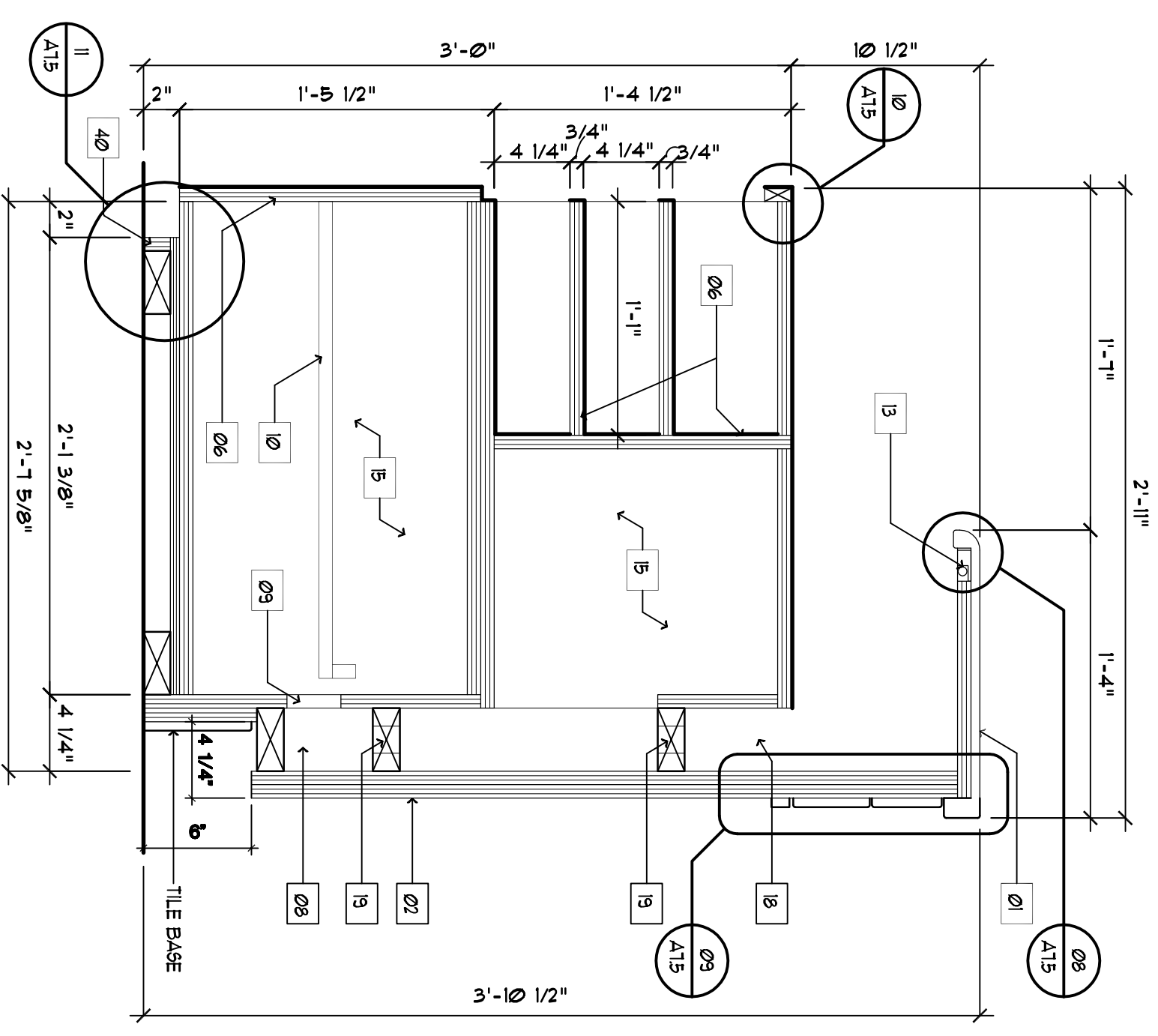
9 EDGE DETAIL
SCALE 3" = 1'-0"



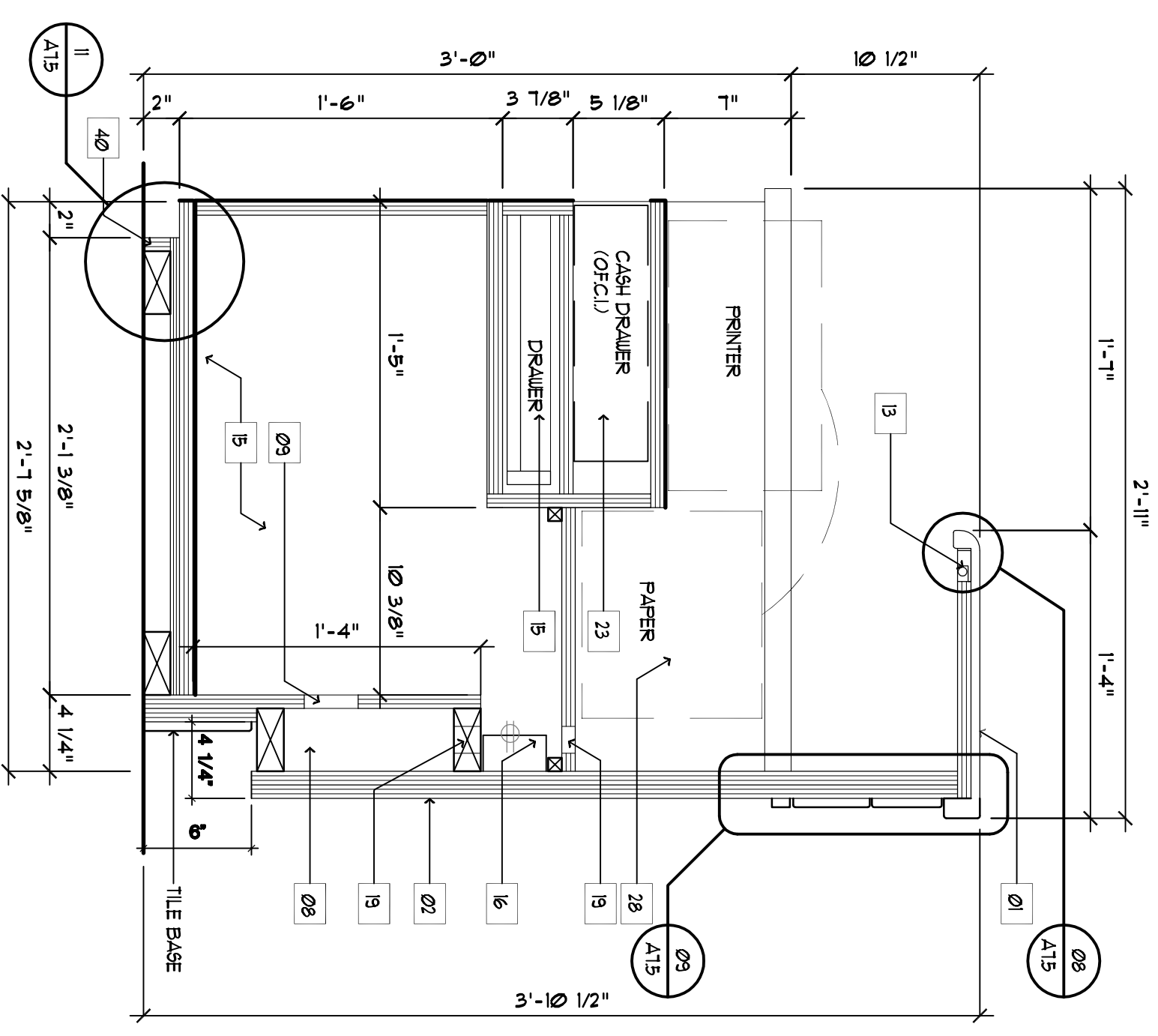
8A EDGE DETAIL
FULL SCALE

8 EDGE DETAIL
SCALE 3" = 1'-0"

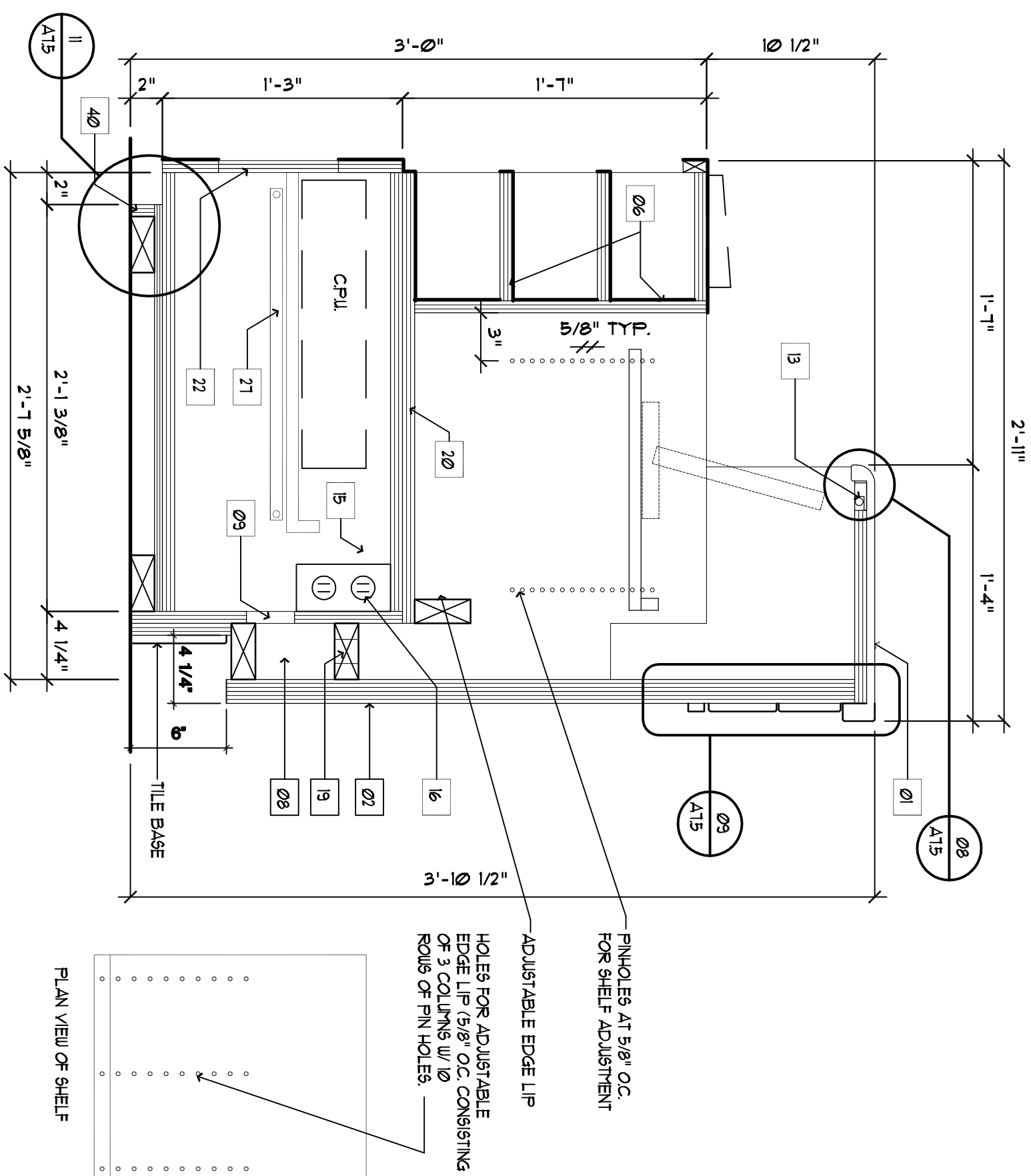
7 NOT USED



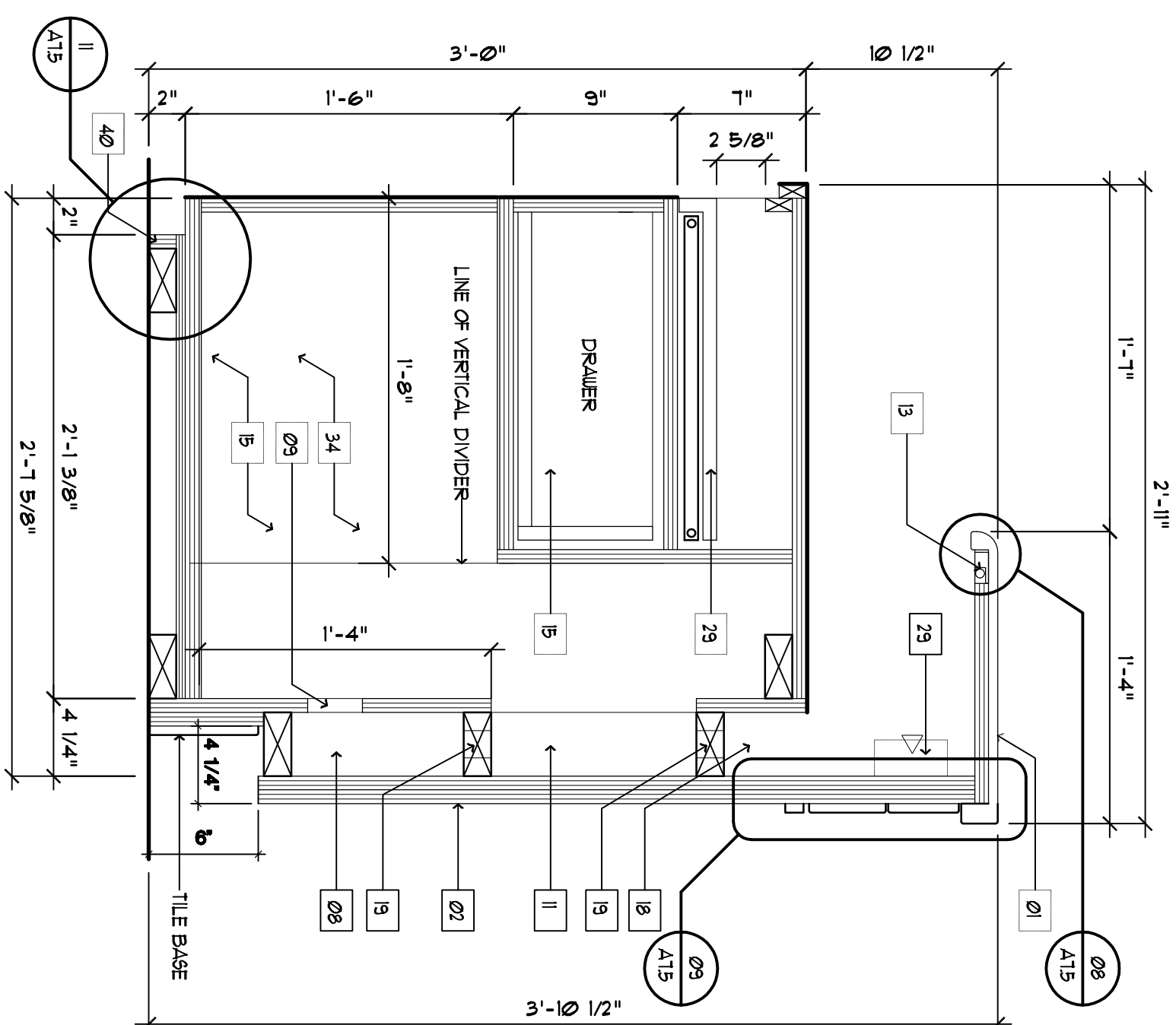
6 REGISTRATION DESK SECTION
SCALE 1 1/2" = 1'-0"



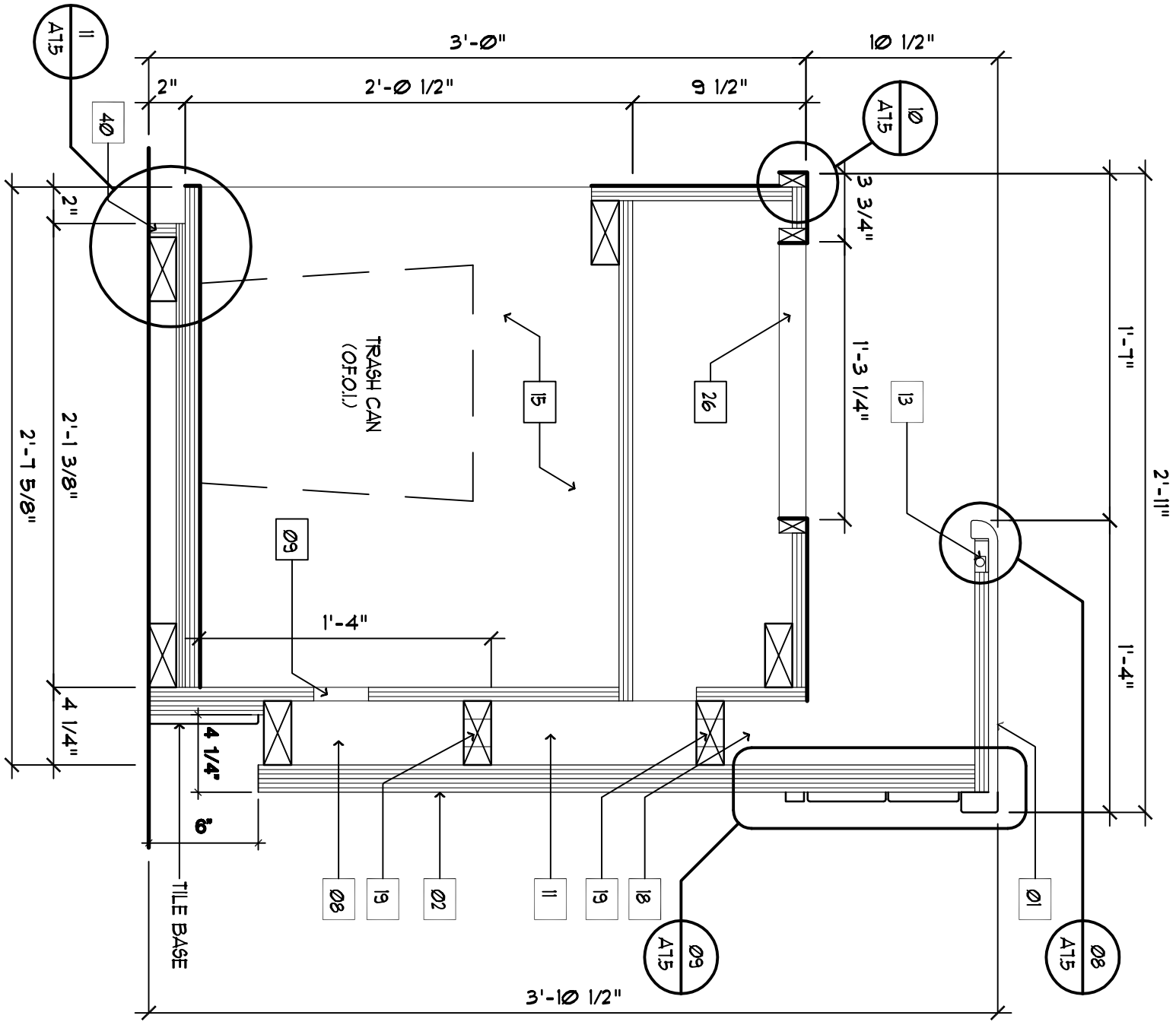
5 REGISTRATION DESK SECTION
SCALE 1 1/2" = 1'-0"



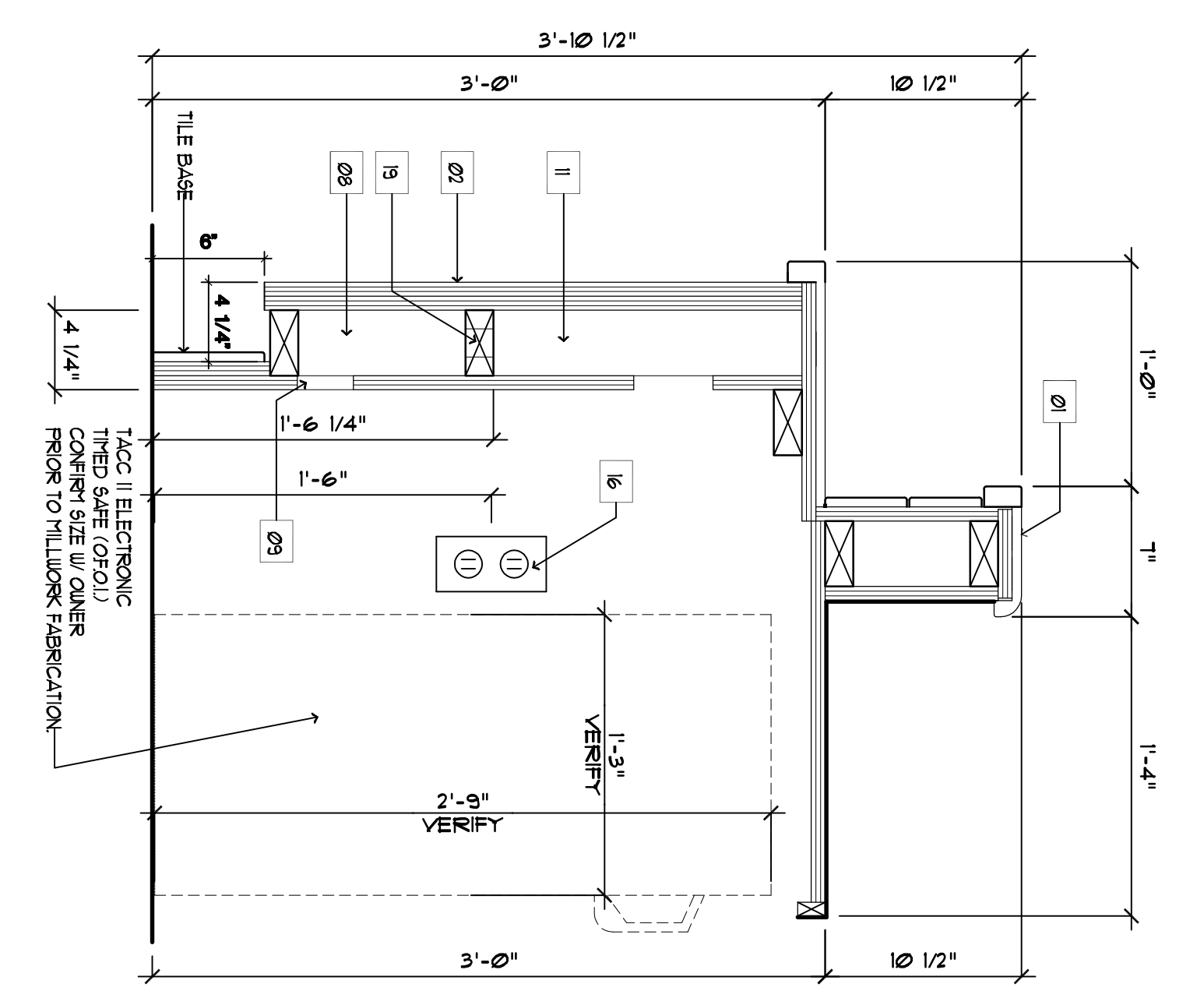
4 REGISTRATION DESK SECTION
SCALE 1 1/2" = 1'-0"



3 REGISTRATION DESK SECTION
SCALE 1 1/2" = 1'-0"



2 REGISTRATION DESK SECTION
SCALE 1 1/2" = 1'-0"



1 MILLWORK SECTION • TACC II
SCALE 1 1/2" = 1'-0"

ASSOCIATED ARCHITECTS
4155 E. JEWELL, SUITE 814
DENVER, COLORADO 80222
PHONE: (303) 691-5353
FAX: (303) 691-5018
Email: aa@associatedarchitects.net



**A NEW 78 ROOM LA QUINTA FOR:
THE WRIGHT GROUP**
North side of 100 North Street
PRICE, UTAH

REVISIONS

NO.	DATE	DESCRIPTION
1	10-30-09	PROJECT NO. 09016
2		REGISTRATION DESK
3		DWG TITLE 820/INTEL2

CHECKED BY: DATE: PROJECT NO. 09016

A75