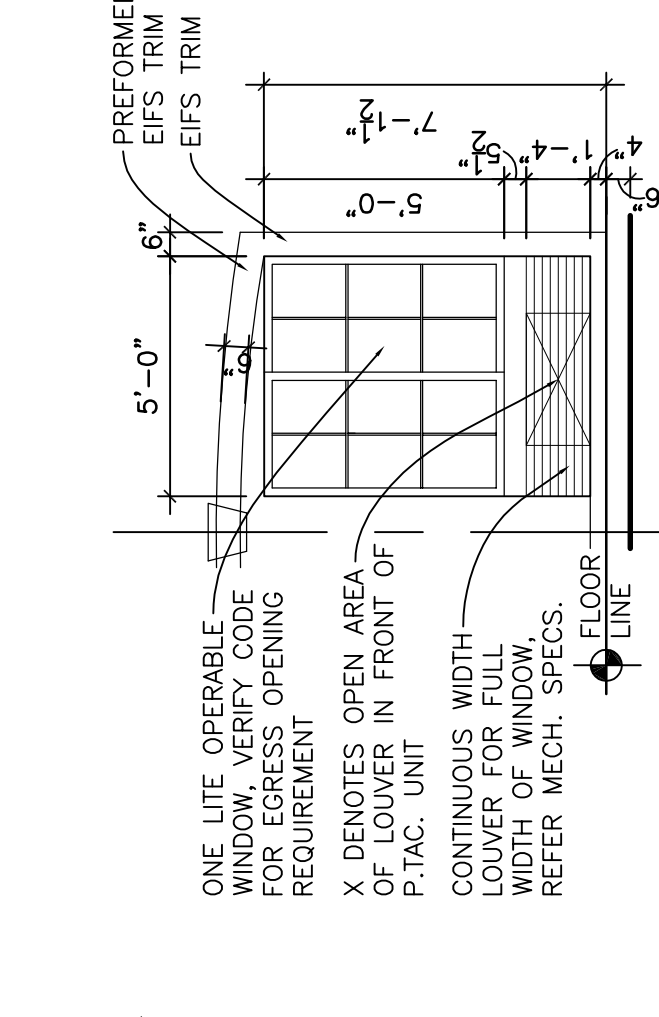
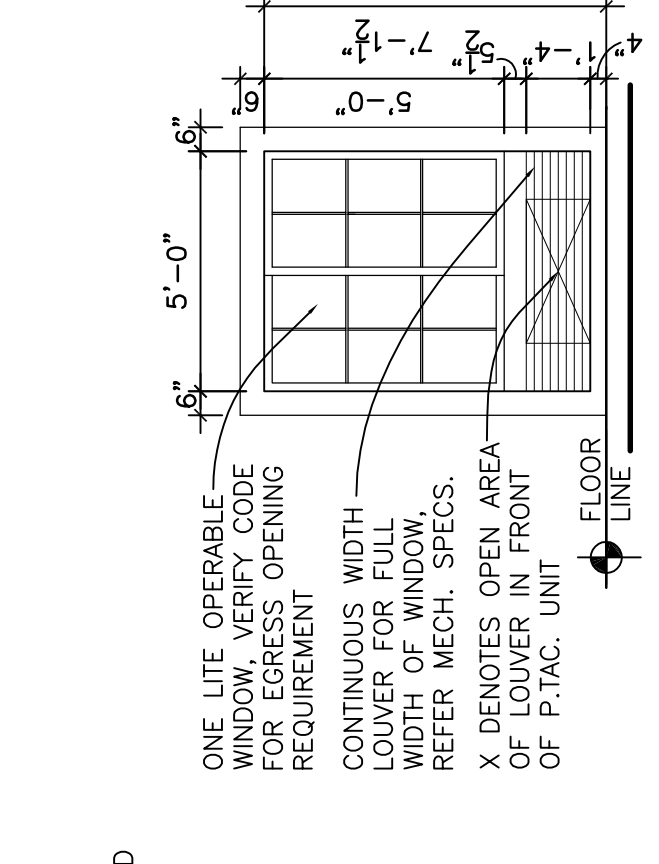


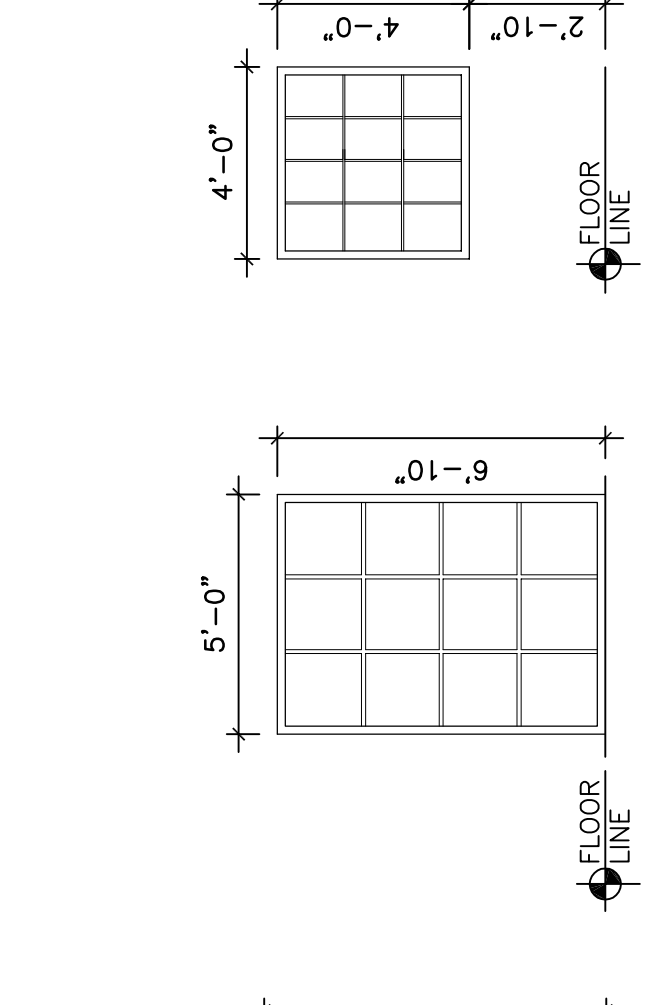
(A) OPERABLE WINDOW AT PEDIMENT  
NOTE: REFER FLOOR PLANS FOR P.TAC UNIT LOCATIONS.



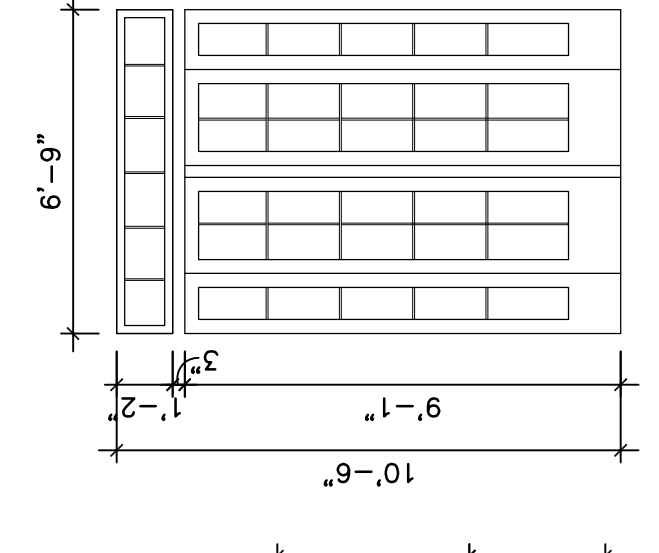
(B) OPERABLE WINDOW



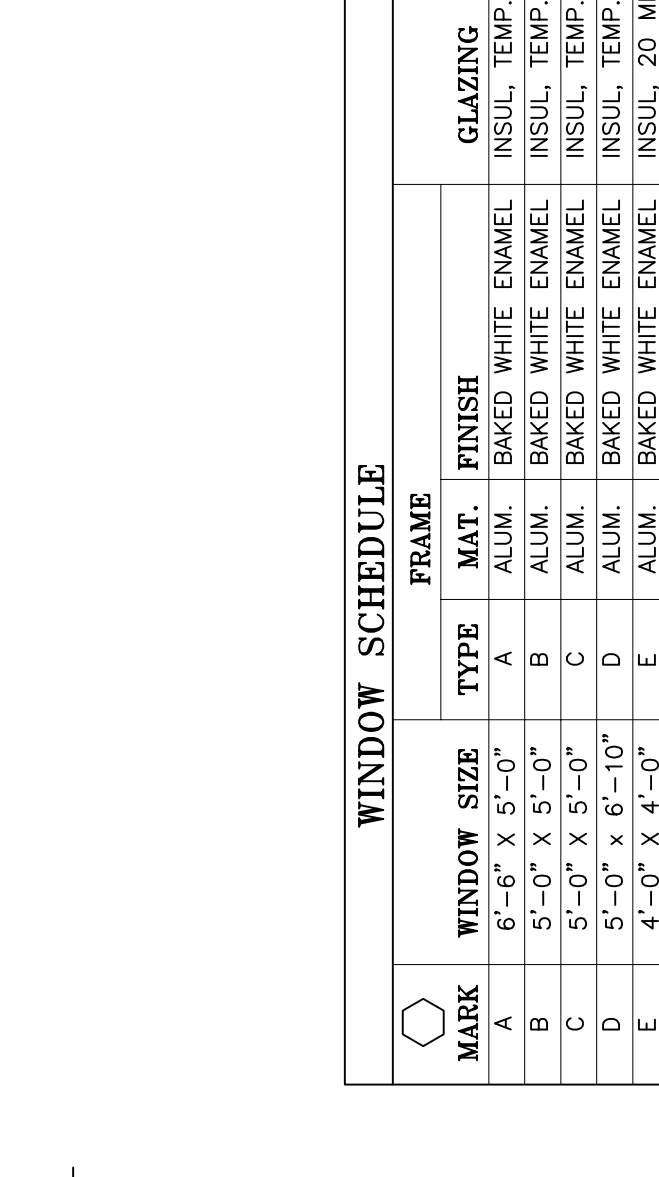
(C) OPERABLE WINDOW AT CORRIDOR



(D) FIXED WINDOW AT EXERCISE ROOM



(E) FIXED WINDOW AT EXERCISE ROOM



(F) FIXED WINDOW

1 WINDOW TYPES  
SCALE 1/4" = 1'-0"

2 DOOR TYPES  
SCALE 1/4" = 1'-0"

3 WINDOW TYPES  
SCALE 1/4" = 1'-0"

4 WINDOW TYPES  
SCALE 1/4" = 1'-0"

5 WINDOW TYPES  
SCALE 1/4" = 1'-0"

DOOR NO.	LOCATION	SIZE		TYPE	DOORS		FIRE RATING	REMARKS
		W	H		MAT'L/ FINISH	HARD-WARE PER MFR		
01	VESTIBULE	PR 2'-6" X 7'-0"	3/4"	1	AL/GL	25	---	AUTOMATIC SLIDING DOOR W/ CONTROL @ REG. DESK
02	MECH./POOL EQUIP.	3'-0" X 7'-0"	3/4"	6	HM/PP	2	---	WITH WEATHER STRIP
03	CORRIDOR EXIT	3'-0" X 7'-0"	3/4"	9	S/PP	2	---	W/ WEATHERSTRIPPING
04	BREAKFAST TO PATIO	3'-0" X 7'-0"	3/4"	10	S/PP	2	---	NO MAGNETIC HOLD NO KICK PLATE
05	ELEV. EQUIP.	3'-0" X 6'-8"	3/4"	2	HM/PP	6	3/4 HR	TYPE 6 FOR DOOR FROM WORK ROOM TO LAUNDRY
06	BREAKFAST	PR 3'-0" X 6'-8"	3/4"	10	S/PP	4	3/4 HR	NO MAGNETIC HOLD
07	WORK ROOM	3'-0" X 6'-8"	3/4"	2	S/PP	11	20 MIN	
08	STORAGE	3'-0" X 6'-8"	3/4"	2	S/PP	6	---	
09	BUSINESS CENTER	3'-0" X 6'-8"	3/4"	4	S/PP	8	20 MIN	
10	EXERCISE ROOM	3'-0" X 6'-8"	3/4"	4	S/PP	9	20 MIN	ELECTRIC KEY LOCK FOR EXERCISE & LAUNDRY ROOMS
11	LAUNDRY	3'-6" X 6'-8"	3/4"	2	S/PP	6	3/4 HR	
12	DRYERS	2'-0" X 6'-8"	3/4"	6	S/PP	16	---	
13	RR	3'-0" X 6'-8"	3/4"	6	S/PP	14	---	
14	PANTRY	3'-0" X 6'-8"	3/4"	2	S/PP	11	3/4 HR	6 PANEL DOOR TYPE # 2 TO PANTRY (NO VISION PANEL)
15	GENERAL MANAGER	3'-0" X 6'-8"	3/4"	2	S/PP	15	20 MIN	
16	WOMEN & MEN'S RR	3'-0" X 6'-8"	3/4"	2	S/PP	5	3/4 HR	
17	STAIR	3'-0" X 6'-8"	3/4"	3	S/PP	5	---	
18	STAIR EXIT	3'-0" X 6'-8"	3/4"	4	S/PP	2	---	W/ WEATHERSTRIPPING
19	ELEVATOR	3'-6" X 7'-0"	3/4"	2	HM/PP	5	3/4 HR	6 PANEL W/ HOLD OPEN-MAGNETIC @ ELEVATOR DOOR
20	MECH./POOL EQUIP.	3'-0" X 6'-8"	3/4"	5	HM/PP	24	---	
21	LAUNDRY CHUTE	2'-6" X 6'-8"	3/4"	6	HM/PP	10	3/4 HR	
22	MECH.	3'-0" X 6'-8"	3/4"	6	HM/PP	24	3/4 HR	
23	LAUNDRY CHUTE	PR 1'-9" X 6'-8"	3/4"	2	S/PP	6	---	
24	CLOSET @ BREAKFAST	PR 1'-9" X 6'-8"	3/4"	14	WD/PP	PER MFR	---	CASED OPENING
25	BOARD ROOM	3'-0" X 6'-8"	3/4"	2	S/PP	7	20 MIN	
26	CORR. SEPARATION	4'-0" X 6'-8"	3/4"	2	S/PP	6	3/4 HR	
27	WORK ROOM	2'-8" X 6'-8"	3/4"	2	S/PP	11	20 MIN	
TR	GUEST ROOM ENTRY	3'-0" X 6'-8"	3/4"	2	S/PP	17	20 MIN.	
TB	BATH ROOM	3'-0" X 6'-8"	3/4"	8	S/PP	18	---	CLOSERS @ H.C. ROOMS
TI	CLOSET	PR 1'-1 1/2" X 6'-8"	1/4"	12	S/PP	---	---	CASED
TK	COMMUNICATING	PR 3'-0" X 6'-8"	3/4"	8	S/PP	20	3/4 HR	
TL	CLOSET	PR 1'-6" X 6'-8"	1/4"	12	S/PP	---	---	CASED
TM	CLOSET	PR 1'-3 1/2" X 6'-8"	1/4"	12	S/PP	---	---	CASED
TN	CLOSET	PR 1'-5" X 6'-8"	1/4"	12	S/PP	---	---	CASED
TY	LIVING ROOM @ GUEST.	3'-0" X 6'-8"	1/4"	12	S/PP	21	---	CASED

SET #	ITEMS
SET # 1	3 ea. Hinges 1 ea. Exit Device 1 ea. Kick Plate 1 ea. Map Plate 1 ea. Weatherstrip 1 ea. Drip Cap
SET # 2	3 ea. Hinges 1 ea. Exit Device 1 ea. Kick Plate 1 ea. Map Plate 1 ea. Weatherstrip 1 ea. Drip Cap
SET # 3	3 ea. Hinges 1 ea. Exit Device 1 ea. Kick Plate 1 ea. Map Plate 1 ea. Weatherstrip 1 ea. Drip Cap
SET # 4	3 ea. Hinges 1 ea. Exit Device 1 ea. Kick Plate 1 ea. Map Plate 1 ea. Weatherstrip 1 ea. Drip Cap
SET # 5	3 ea. Hinges 1 ea. Exit Device 1 ea. Kick Plate 1 ea. Map Plate 1 ea. Weatherstrip 1 ea. Drip Cap
SET # 6	3 ea. Hinges 1 ea. Exit Device 1 ea. Kick Plate 1 ea. Map Plate 1 ea. Weatherstrip 1 ea. Drip Cap
SET # 7	3 ea. Hinges 1 ea. Exit Device 1 ea. Kick Plate 1 ea. Map Plate 1 ea. Weatherstrip 1 ea. Drip Cap
SET # 8	3 ea. Hinges 1 ea. Exit Device 1 ea. Kick Plate 1 ea. Map Plate 1 ea. Weatherstrip 1 ea. Drip Cap
SET # 9	3 ea. Hinges 1 ea. Exit Device 1 ea. Kick Plate 1 ea. Map Plate 1 ea. Weatherstrip 1 ea. Drip Cap
SET # 10	3 ea. Hinges 1 ea. Exit Device 1 ea. Kick Plate 1 ea. Map Plate 1 ea. Weatherstrip 1 ea. Drip Cap
SET # 11	3 ea. Hinges 1 ea. Exit Device 1 ea. Kick Plate 1 ea. Map Plate 1 ea. Weatherstrip 1 ea. Drip Cap
SET # 12	3 ea. Hinges 1 ea. Exit Device 1 ea. Kick Plate 1 ea. Map Plate 1 ea. Weatherstrip 1 ea. Drip Cap
SET # 13	3 ea. Hinges 1 ea. Exit Device 1 ea. Kick Plate 1 ea. Map Plate 1 ea. Weatherstrip 1 ea. Drip Cap
SET # 14	3 ea. Hinges 1 ea. Exit Device 1 ea. Kick Plate 1 ea. Map Plate 1 ea. Weatherstrip 1 ea. Drip Cap
SET # 15	3 ea. Hinges 1 ea. Exit Device 1 ea. Kick Plate 1 ea. Map Plate 1 ea. Weatherstrip 1 ea. Drip Cap
SET # 16	3 ea. Hinges 1 ea. Exit Device 1 ea. Kick Plate 1 ea. Map Plate 1 ea. Weatherstrip 1 ea. Drip Cap
SET # 17	3 ea. Hinges 1 ea. Exit Device 1 ea. Kick Plate 1 ea. Map Plate 1 ea. Weatherstrip 1 ea. Drip Cap
SET # 18	3 ea. Hinges 1 ea. Exit Device 1 ea. Kick Plate 1 ea. Map Plate 1 ea. Weatherstrip 1 ea. Drip Cap
SET # 19	3 ea. Hinges 1 ea. Exit Device 1 ea. Kick Plate 1 ea. Map Plate 1 ea. Weatherstrip 1 ea. Drip Cap
SET # 20	3 ea. Hinges 1 ea. Exit Device 1 ea. Kick Plate 1 ea. Map Plate 1 ea. Weatherstrip 1 ea. Drip Cap
SET # 21	3 ea. Hinges 1 ea. Exit Device 1 ea. Kick Plate 1 ea. Map Plate 1 ea. Weatherstrip 1 ea. Drip Cap
SET # 22	3 ea. Hinges 1 ea. Exit Device 1 ea. Kick Plate 1 ea. Map Plate 1 ea. Weatherstrip 1 ea. Drip Cap
SET # 23	3 ea. Hinges 1 ea. Exit Device 1 ea. Kick Plate 1 ea. Map Plate 1 ea. Weatherstrip 1 ea. Drip Cap
SET # 24	3 ea. Hinges 1 ea. Exit Device 1 ea. Kick Plate 1 ea. Map Plate 1 ea. Weatherstrip 1 ea. Drip Cap
SET # 25	3 ea. Hinges 1 ea. Exit Device 1 ea. Kick Plate 1 ea. Map Plate 1 ea. Weatherstrip 1 ea. Drip Cap
SET # 26	3 ea. Hinges 1 ea. Exit Device 1 ea. Kick Plate 1 ea. Map Plate 1 ea. Weatherstrip 1 ea. Drip Cap
SET # 27	3 ea. Hinges 1 ea. Exit Device 1 ea. Kick Plate 1 ea. Map Plate 1 ea. Weatherstrip 1 ea. Drip Cap
SET # 28	3 ea. Hinges 1 ea. Exit Device 1 ea. Kick Plate 1 ea. Map Plate 1 ea. Weatherstrip 1 ea. Drip Cap
SET # 29	3 ea. Hinges 1 ea. Exit Device 1 ea. Kick Plate 1 ea. Map Plate 1 ea. Weatherstrip 1 ea. Drip Cap
SET # 30	3 ea. Hinges 1 ea. Exit Device 1 ea. Kick Plate 1 ea. Map Plate 1 ea. Weatherstrip 1 ea. Drip Cap
SET # 31	3 ea. Hinges 1 ea. Exit Device 1 ea. Kick Plate 1 ea. Map Plate 1 ea. Weatherstrip 1 ea. Drip Cap
SET # 32	3 ea. Hinges 1 ea. Exit Device 1 ea. Kick Plate 1 ea. Map Plate 1 ea. Weatherstrip 1 ea. Drip Cap
SET # 33	3 ea. Hinges 1 ea. Exit Device 1 ea. Kick Plate 1 ea. Map Plate 1 ea. Weatherstrip 1 ea. Drip Cap
SET # 34	3 ea. Hinges 1 ea. Exit Device 1 ea. Kick Plate 1 ea. Map Plate 1 ea. Weatherstrip 1 ea. Drip Cap
SET # 35	3 ea. Hinges 1 ea. Exit Device 1 ea. Kick Plate 1 ea. Map Plate 1 ea. Weatherstrip 1 ea. Drip Cap
SET # 36	3 ea. Hinges 1 ea. Exit Device 1 ea. Kick Plate 1 ea. Map Plate 1 ea. Weatherstrip 1 ea. Drip Cap
SET # 37	3 ea. Hinges 1 ea. Exit Device 1 ea. Kick Plate 1 ea. Map Plate 1 ea. Weatherstrip 1 ea. Drip Cap
SET # 38	3 ea. Hinges 1 ea. Exit Device 1 ea. Kick Plate 1 ea. Map Plate 1 ea. Weatherstrip 1 ea. Drip Cap
SET # 39	3 ea. Hinges 1 ea. Exit Device 1 ea. Kick Plate 1 ea. Map Plate 1 ea. Weatherstrip 1 ea. Drip Cap
SET # 40	3 ea. Hinges 1 ea. Exit Device 1 ea. Kick Plate 1 ea. Map Plate 1 ea. Weatherstrip 1 ea. Drip Cap
SET # 41	3 ea. Hinges 1 ea. Exit Device 1 ea. Kick Plate 1 ea. Map Plate 1 ea. Weatherstrip 1 ea. Drip Cap
SET # 42	3 ea. Hinges 1 ea. Exit Device 1 ea. Kick Plate 1 ea. Map Plate 1 ea. Weatherstrip 1 ea. Drip Cap
SET # 43	3 ea. Hinges 1 ea. Exit Device 1 ea. Kick Plate 1 ea. Map Plate 1 ea. Weatherstrip 1 ea. Drip Cap
SET # 44	3 ea. Hinges 1 ea. Exit Device 1 ea. Kick Plate 1 ea. Map Plate 1 ea. Weatherstrip 1 ea. Drip Cap
SET # 45	3 ea. Hinges 1 ea. Exit Device 1 ea. Kick Plate 1 ea. Map Plate 1 ea. Weatherstrip 1 ea. Drip Cap
SET # 46	3 ea. Hinges 1 ea. Exit Device 1 ea. Kick Plate 1 ea. Map Plate 1 ea. Weatherstrip 1 ea. Drip Cap
SET # 47	3 ea. Hinges 1 ea. Exit Device 1 ea. Kick Plate 1 ea. Map Plate 1 ea. Weatherstrip 1 ea. Drip Cap
SET # 48	3 ea. Hinges 1 ea. Exit Device 1 ea. Kick Plate 1 ea. Map Plate 1 ea. Weatherstrip 1 ea. Drip Cap
SET # 49	3 ea. Hinges 1 ea. Exit Device 1 ea. Kick Plate 1 ea. Map Plate 1 ea. Weatherstrip 1 ea. Drip Cap
SET # 50	3 ea. Hinges 1 ea. Exit Device 1 ea. Kick Plate 1 ea. Map Plate 1 ea. Weatherstrip 1 ea. Drip Cap

